

I645-0910 – RBC-SMIM4 Indicator Module and Remote On Off

Description

This accessory is designed to give the operational status of an air conditioning system and also to enable remote ON/OFF control, with a remote controller lock facility where required. There are LED's on the interface giving a local visual indication of the RUN and FAULT status and in addition to this, relay outputs are provided to give a remote indication facility. There are also two input contacts for ON/OFF and ON/OFF lock. When the ON/OFF lock contact is made the ON/OFF button on the remote controller is disabled.

Application

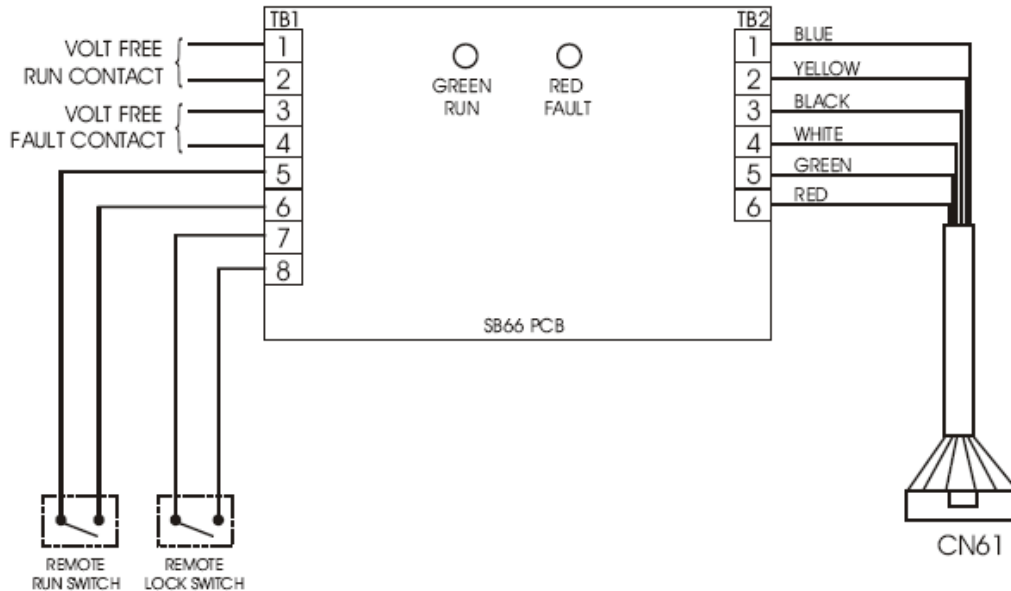
The accessory allows the operating status of the indoor unit to be determined and reported to another system. It also allows the ON/OFF function to be controlled via a contact closure from an external source. The accessory connects directly to an indoor unit.

Connections

The Interface should be mounted on or adjacent to the indoor unit using the self adhesive tabs provided. It should then be connected to the indoor unit via the CN61 connection lead.

All electrical connections should be made within the enclosure, (see the diagram below). The relay output contacts are rated as follows: 240V @ 6A resistive load and 1.5A inductive load. If higher capacities are required, it will be necessary to use additional relays or contactors. When the switch contacts are made the indoor unit will be enabled and the ON/OFF button on the remote will be disabled.

Diagram



Jumper J01 must be removed on the Indoor PCB

Limitations

It should be noted that when the external contact is operated, all connected systems will be enabled or disabled, depending on whether the contact is open or closed. Individual units cannot be omitted from the ON/FF control process.

The locking function only locks the operation function, however if the remote is locked OFF it is not possible to adjust any of the functions

The cables connecting the interface to the external switching / monitoring point are to be a maximum total distance of 25 meters when using a screened cable, with a cross sectional area of 0.75mm.

Dimensions (L x W x H) **150 x 80 x 50**

TOSHIBA AIRCONDITIONING

Advancing the **eco**-evolution

Bulletin I645-0910 2 of 2 16/10/2009

For further details, please contact Toshiba Carrier UK Limited Customer Services on 0870 8430333

The manufacturer reserves the right to change the product specifications and information without notice.