

TOSHIBA

Leading Innovation >>>



Console/Under Ceiling Unit Heat Pump System

- Ultimate flexibility for low-wall or ceiling suspended installation
- High Efficiency Twin Rotary Inverter Compressor
- Utilises R410A none ozone depleting refrigerant
- Replacement Technology (R22 & R407c)
- High-performance operation, using digital inverter control system
- Low noise and recyclable drain pan
- Superior air filtration systems for enhanced indoor air quality
- Removable Corner Pockets for easy access
- Infra-red and wired controls available
- Detachable Louvre and Grille for Easy Cleaning
- Power Supply to Outdoor Unit

The Digital Inverter Console or Under Ceiling unit has ultimate installation flexibility. It can be suspended under the ceiling or mounted on a wall.

The units are suitable for use with either new R410A refrigerant pipe work, or indeed can be used as 'replacement technology' enabling the re-use of existing R22 or R407c Pipe work.

Other key features include a high lift drain pump kit for flexible condensate piping layout and triple-action filtration system absorbing small airborne pollutants.



Size 563 & 803

Model	Outdoor Unit		RAV	SM563AT-E	SM803AT-E
	Indoor Unit		RAV	SM562XT-E	SM802XT-E
	Panel		RBC	Infra-red	Infra-red
System Data	Cooling Capacity (Range)		kW	5.0 (1.5-5.6)	6.7 (1.5-8.0)
	Heating Capacity (Range)		kW	5.6 (1.5-6.3)	8.0 (1.5-9.0)
	Power Input, Cooling/Heating		kW	1.87/1.70	2.72/2.67
	COP		W/W	3.29	3
	EER		W/W	2.67	2.46
	SEER		W/W	3.62	3.62
	Annual Power Consumption, Cooling		kWh	935	1360
	Energy Label, Cooling / Heating			D/C	E/D
	UK Conditions - Cooling Capacity		kW	5.44	7.76
	UK Conditions - Sensible Cooling Capacity		kW	4.22	5.85
UK Conditions - Heating Capacity		kW	4.69	6.7	
Indoor	Air flow (High/Medium/Low)		l/s	167/200/233	178/225/308
	Sound Pressure Level (High/Medium/Low)		dB(A)	36/39/43	37/42/46
Outdoor	Airflow		l/s (m3/h)	667 (2400)	750 (2700)
	Sound Pressure Level (cooling/heating)		dB(A)	63/65	65/67
	Pipe Connections, Gas - Liquid		in	1/2 - 1/4	5/8 - 3/8
	Pipe Length, Maximum/Minimum		m	30/5	30/5
	Maximum Operating Current		A	7.3	11.32
	Base charge refrigerant level		Kg	1	1.7
	Suggested Fuse Size		A	10	16

All data is based on Toshiba Nominal Conditions as described in the back of our standard price list.

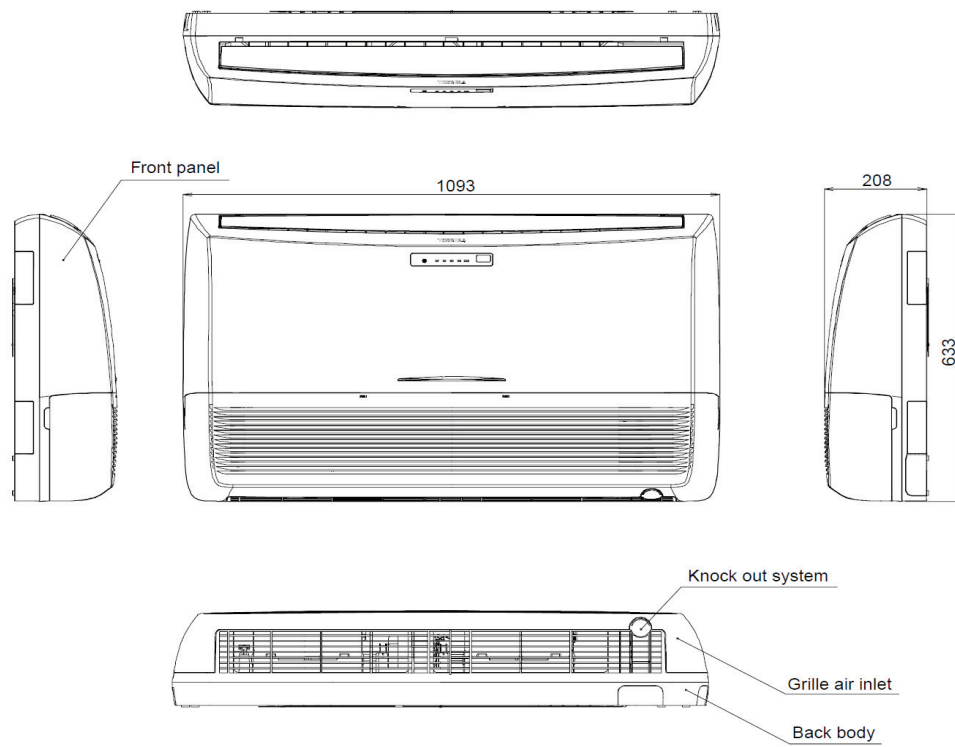
TOSHIBA AIRCONDITIONING

Advancing the **eco**-evolution

Digital Inverter Console/Under Ceiling Unit Heat Pump System

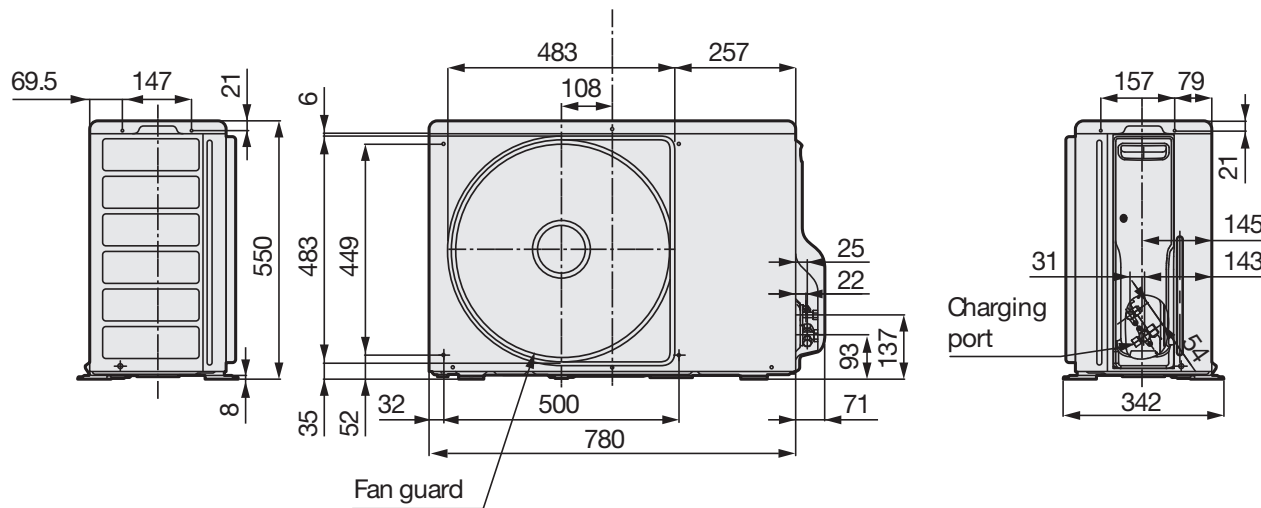


INDOOR UNITS



RAV-SM562XT-E and RAV-SM802XT-E

OUTDOOR UNITS



RAV-SM563AT-E and RAV-SM803AT-E

