

TOSHIBA

RBC IT2 – PE TIME SWITCH INTERFACE

FITTING AND OPERATING INSTRUCTIONS

WARNING

Mains voltage is present. It is the responsibility of the user to ensure compliance with the Health and Safety at Work Act, 1974 and compliance with all relevant codes of practice.

IF IN DOUBT - ASK!

The RBC IT2 – PE time switch interface is intended for use with all the TOSHIBA cooling only and heat pump indoor units in the RAV range and it should be fitted in accordance with these instructions.

The RBC IT2 - PE allows these systems to be externally switched on and off by means of any volt-free external terminals rated at 230 volts a/c. Typically this will be a time switch, automatic restart after a power failure, frost-thermostat protection or other form of switching.

For advice in this area, please call Toshiba Air Conditioning Technical on (01276) 694205

It is important to note that if a RBC IT2 - PE interface is used the standard 24hour timer functions on any of the Toshiba remote or central controllers must not be selected to avoid conflict in switching commands. Do not use the standard RBC WT1-PE 7 – day timer.

The remote controller on/off button will be overridden whenever an interface is connected to socket CN06, regardless of whether the RBC IT2 – PE is in use or not. All other functions of the remote controller remain unaffected.

When more than one system is connected for group operation, it is essential to arrange the power supply to the outdoor units so that the control circuits for all the indoor units are fed from the same phase.

The interface should only be fitted to the master indoor unit. If fitted to a slave indoor unit then system shut down may occur.

It is recommended that the power supply (230v.a.c.) be taken from the respective indoor unit, as indicated on the wiring diagram.

The field sourced time-switch may be located in any area. The a/c system will start when terminal 1 of the interface is energised and will override the remote controller on/off functions.

Due to the logic used, it is recommended that a minimum switching interval of 30 seconds be adopted. When first energised, it may be noticed that the indoor unit starts briefly and then stops, this is normal and does not indicate a fault with the system.

FIXING DETAILS

The interface should be fitted in position on the relevant indoor unit and secured by means of the adhesive pads provided on the rear.

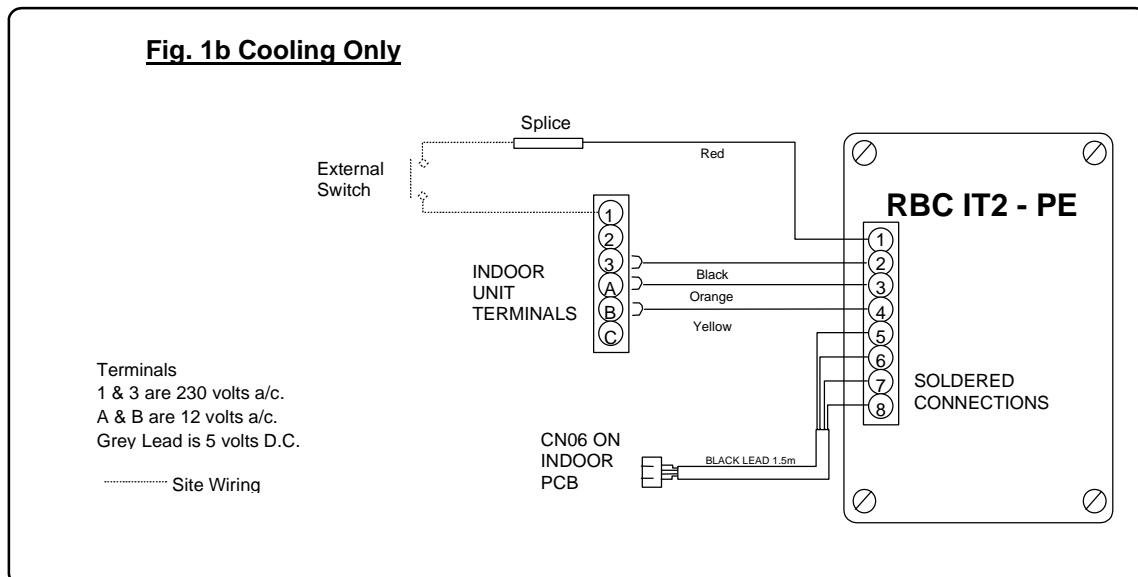
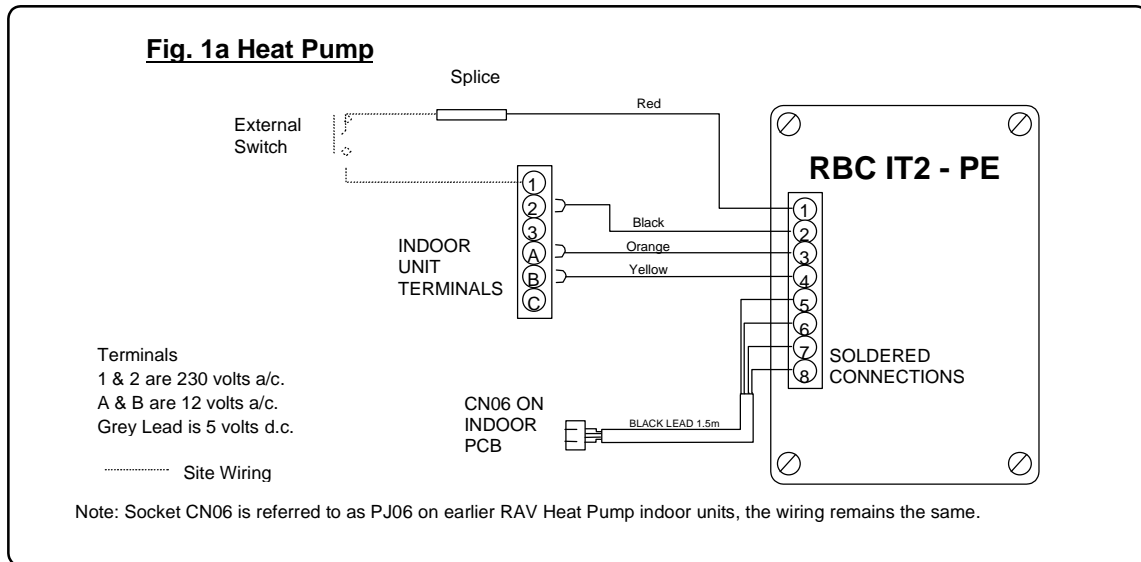
In some cases it is easier to disconnect the electric box and withdraw it from its housing completely. Any excess cable should be coiled and secured near the interface box.

TOSHIBA reserve the right to alter, modify or carry out improvements to their equipment without prior notice

Toshiba **Air Conditioning** Tel. (01276) 694205

RBC IT2 – PE issue 1 - April 99 - **Supersedes all previous data sheets**

CIRCUIT DIAGRAMS



IMPORTANT

Ensure that the electrical feed to the time clock is the same electrical phase as the “L” terminal on the single phase units or “L1” on the three phase units. These terminals are the single phase derivation from the outdoor unit in each case. Zero voltage should be measured between terminal 1 of the Type T2 and terminal 1 of the indoor unit when energised. If 400 V.a.c. is detected between these two terminals it is essential that the unit is isolated and the correct phasing is determined.