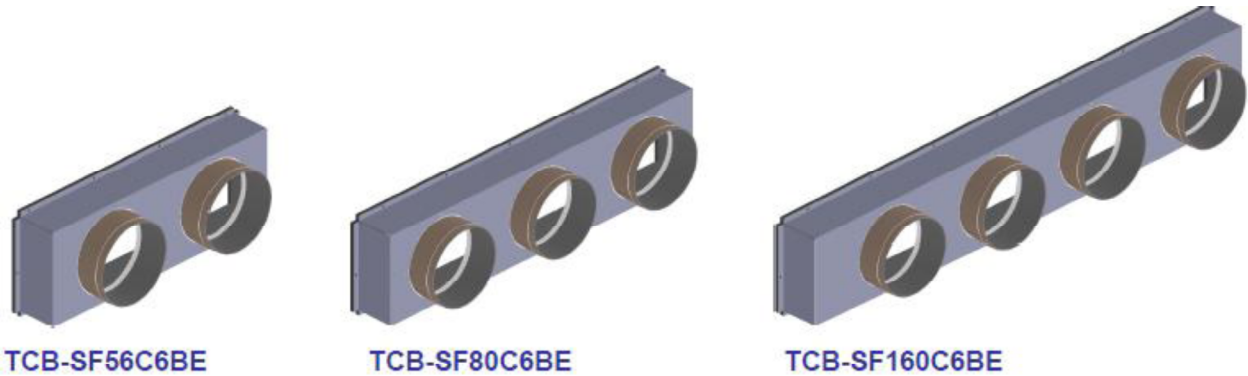


SUBJECT: new optional parts for duct type unit RAV-SM**6BT-E

TOSHIBA would like to introduce new spigot shaped flange for standard duct type unit RAV-SM**6BT-E.

1. Line-up and Appearances



2. Production date in TCC

Mass production will start from June 2012, 1st shipment will be end of June 2012.

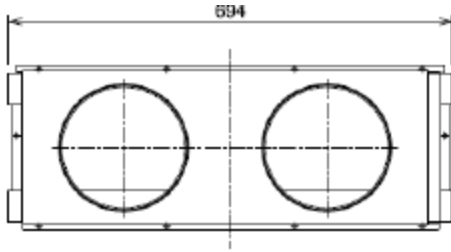
3. Applicable FCU and Codes

Model name	EAN code	Production code	700mm wide			1000mm wide	1400mm wide		
			RAV-SM406BT-E	RAV-SM456BT-E	RAV-SM566BT-E	RAV-SM806BT-E	RAV-SM1106BT-E	RAV-SM1406BT-E	RAV-SM1606BT-E
TCB-SF56C6BE	4904550662809	811B9644	✓	✓	✓				
TCB-SF80C6BE	4904550662816	811B9645				✓			
TCB-SF160C6BE	4904550662823	811B9646					✓	✓	✓

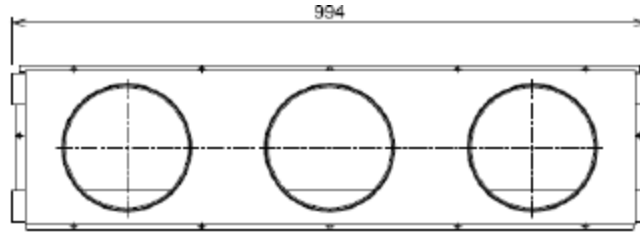
4. Static pressure characteristics

1. New spigot shaped flange has a higher static pressure with optimized design, and the static pressure drops only 20Pa from Rectangle flange connections.
2. Maximum Static pressure will be 100Pa with all models. (Conditions #1. static pressure with filter which is included #2. intake From back of the unit)
3. Initial setting when flange installed will be 20Pa (56,80models; 10Pa lower than rectangle flange) and 40Pa (160model; 10Pa lower than rectangle flange).

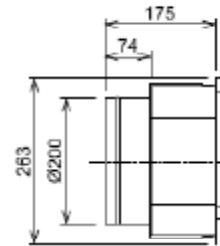
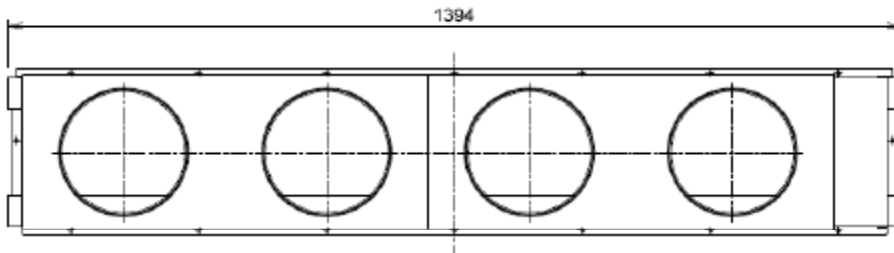
5. External Dimensions



TCB-SF56C6BE



TCB-SF80C6BE



Nick Ball
Engineering Director – Toshiba EMEA

TOSHIBA AIRCONDITIONING
Advancing the *eco*-evolution