

## RBC-SMIM2 Indicator Module for Heat Cool or Fan

### Description and Contents

The accessory will allow show the status of the air conditioner giving and indication of the mode of operation. There are LEDs on the interface and a relay output.

Contents:

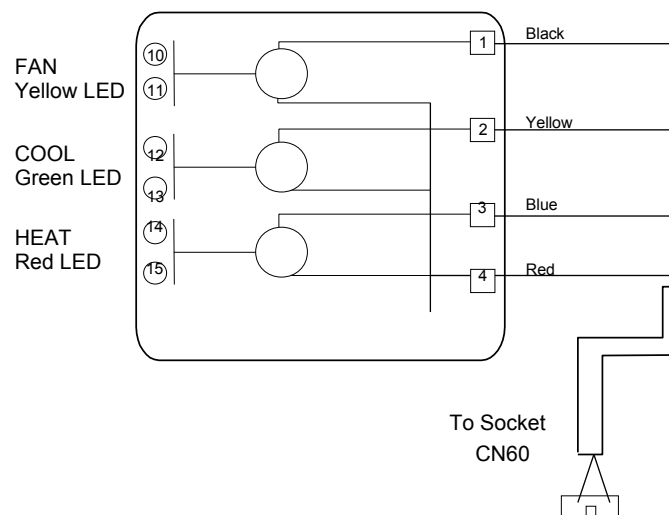
Interface and connection lead  
Sticky Mounting tabs

### Installation and Operating Instructions

#### Installation

The Interface is to be mounted adjacent to the indoor unit with the mounting Tabs. The lead with a connector on the end is to be plugged into the indoor PCB to connector CN60.

The switch contact connections are within the box see the diagram below. The relay contacts are rated as follows 240V @ 6A resistive load 1.5A Inductive. If higher loads are required it will be necessary to use additional relays or contactors.



#### Operation

When the indoor unit is in a particular mode of operation the appropriate LED will light and the relay will close.

—

**For Technical Information Contact**  
**TOSHIBA Air Conditioning**

**DRAFT ONLY**  
**Tel: 0870 8430333**

Ventilation  
Button