

RBC-SMIM3 Indicator Module for Operation and Fault

Description and Contents

The accessory will allow show the status of the air conditioner giving and indication of operation or if a stopping Fault is present. There are LEDs on the interface and a relay output.

Contents:

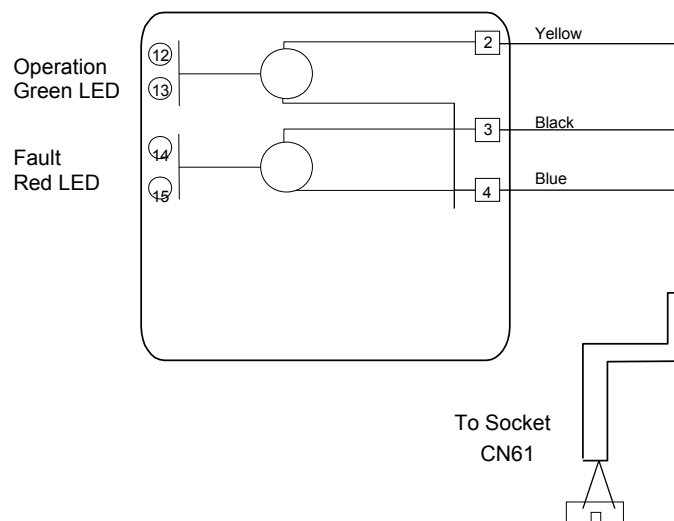
Interface and connection lead
Sticky Mounting tabs

Installation and Operating Instructions

Installation

The Interface is to be mounted adjacent to the indoor unit with the mounting Tabs. The lead with a connector on the end is to be plugged into the indoor PCB to connector CN61.

The switch contact connections are within the box see the diagram below. The relay contacts are rated as follows 240V @ 6A resistive load 1.5A Inductive. If higher loads are required it will be necessary to use additional relays or contactors.



Operation

When the indoor unit is in a particular mode of operation the appropriate LED will light and the relay will close.

—