

## Ceiling Suspended Heat Pump System



Digital Inverter features, plus:

- Increased energy efficiency/cost savings
- Slim line design and automatic louvre control
- Enhanced compressor and fan motor design
- Extended pipe runs/greater installation flexibility
- More steps for precise inverter control
- EER values up to 4.17 in cooling mode
- Operational at 30 dB(A), twice as quiet as conventional units
- Ideal for R22 and R407c replacement
- Infra-red and wired controls available
- Can be semi-concealed

The Super Digital Inverter series of ceiling suspended units can be discreetly positioned under the ceilings. They are ideal for offices, classroom and restaurants where very low noise levels are required.

The automatic louvre control and low noise levels are the key characteristics of this state-of-the-art unit.

The units are suitable for use with either new R410A refrigerant pipe work, or indeed can be used as 'replacement technology' enabling the re-use of existing R22 or R407c Pipe work.



Size 564

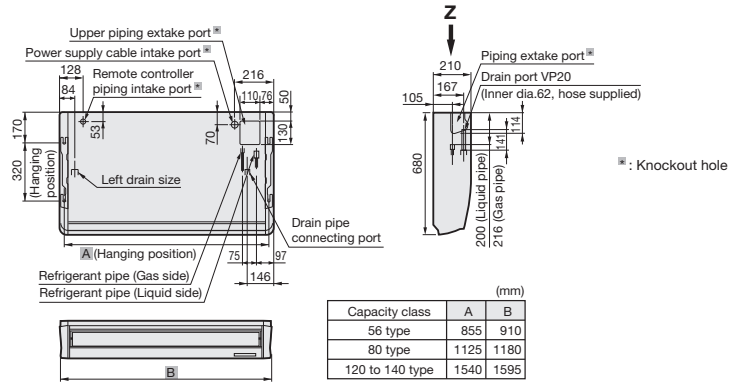
Size 804

Size 1104 and 1404

	Model		SP564AT-E	SP804AT-E	SP1104AT-E	SP1404AT-E
	Outdoor Unit	Indoor Unit	SM562CT-E	SM802CT-E	SM1102CT-E	SM1402CT-E
<b>System Data</b>	Cooling Capacity (Range)	kW	5.0 (1.2-5.6)	7.0 (1.9-8.0)	10.0 (2.6-12.0)	12.5 (2.6-14.0)
	Heating Capacity (Range)	kW	5.6 (0.9-7.4)	8.0 (1.3-10.6)	11.2 (2.4-13.0)	14.0 (3.0-16.0)
	Power Input, Cooling/Heating	kW	1.56/1.47	2.21/2.16	2.67/2.62	3.73/3.65
	COP	W/W	3.81	3.7	4.27	3.84
	EER	W/W	3.21	3.21	3.25	3.35
	SEER	W/W	4.26	4.74	5.37	5
	Annual Power Consumption, Cooling	kWh	780	1105	1335	1865
	Energy Label, Cooling / Heating	A/A	A/A	A/A	A/A	A/A
	UK Conditions - Cooling Capacity	kW	5.44	7.76	11.65	13.59
	UK Conditions - Sensible Cooling Capacity	kW	4.22	5.85	7.73	8.75
UK Conditions - Heating Capacity	kW	5.21	7.08	9.68	12.29	
<b>Indoor</b>	Air flow (High/Medium/Low)	l/s	167/186/217	243/278/308	353/400/458	385/433/500
	Sound Pressure Level (High/Medium/Low)	dB(A)	30/33/36	33/36/38	35/38/41	37/40/43
<b>Outdoor</b>	Airflow	l/s (m3/h)	667 (2400)	833 (3000)	1683 (6060)	1716 (6180)
	Sound Pressure Level (cooling/heating)	dB(A)	47/48	48/49	49/50	51/52
	Pipe Connections, Gas - Liquid	in	1/2 - 1/4	5/8 - 3/8	5/8 - 3/8	5/8 - 3/8
	Pipe Length, Maximum/Minimum	m	50/5	50/5	75/5	75/5
	Maximum Operating Current	A	7.03	10.2	12.28	16.93
	Base charge refrigerant level	Kg	1.1	2	3.1	3.1
	Suggested Fuse Size	A	10	16	20	20

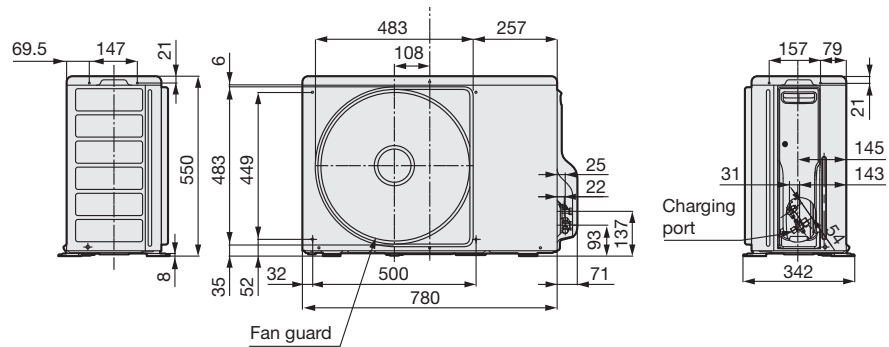
All data is based on Toshiba Nominal Conditions as described in the back of our standard price list.

## INDOOR UNITS

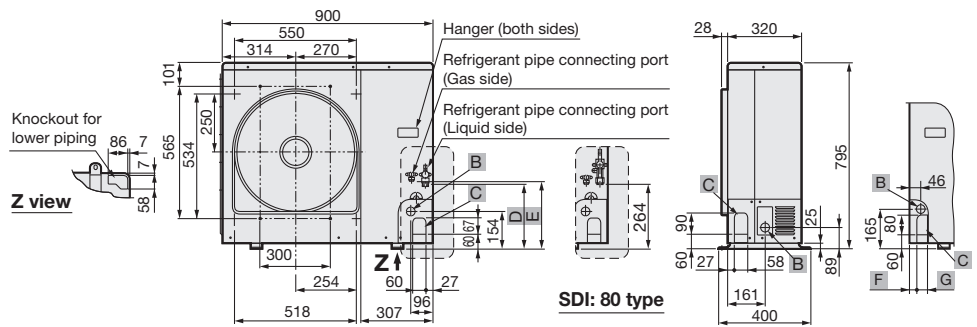


RAV-SM562CT-E, RAV-SM802CT-E,  
RAV-SM1102CT-E and RAV-SM1402CT-E

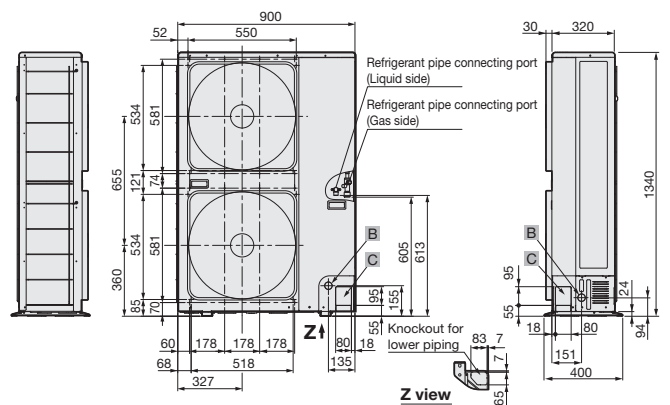
## OUTDOOR UNITS



RAV-SP564AT-E



RAV-SP804AT-E



RAV-SP1104AT-E and RAV-SP1404AT-E