

Control Specification

Control	Operation ON/OFF, Operation Mode, Set Point Temperature, Fan Speed (L, M, H), Louver setting, Fault Code & Filter cleaning sign.
Monitoring	Operation ON/OFF, Operation Mode, Set Point Temperature, Fan Speed (L, M, H), Louver setting, Fault Code & Filter cleaning sign.
Schedule Setting	Schedule Setting Operating, Master & Billing Schedules.
	Weekly Schedule Setting (Master). 256 pattern up to 10/Day
	ON/OFF, Mode, Set Point, RC Permit Prohibit functions, and return back function.
Alarm Information	Display Time of alarm, Unit affected and details of error detected.
	Up to 4,096 item can be stored.
	Error Message transmission via Email is available.

Additional Devices

Device	Model	Remark
Web Based Controller	BMS-WB2561PWE	Can Connect up to 256 Indoor Units
Web Based Server	BMS-WB01GTE	Used for connection of 257 or more indoor units (Max 2,048)
TCS-Net Relay Interface	BMS-IFLSV3E	Connects web based controller to TCC-Link central Control Network. Max 64 Indoor units per device & 8 devices per Web Based Controller
Energy Monitoring Relay Interface	BMS-IFWH4E2	Used to connect Energy Meters to System. Max 8 Power meters per device and 4 Devices per Web Based Controller
Digital Input/ Output Relay Interface	BMS-IFDD02E2	8 Digital Inputs & 4 Digital outputs per device. Max 4 Devices per Web Based Controller

System Specification

Power Supply	1 Phase, 50/60 Hz, 100 – 240 V
Operating Temp/ Humidity	0° - 40°C, 10 to 90% RH (No Condensation)
Dimensions	70 (H) x 292 (W) x 145 (D) mm
Mass	1.8 kg

TOSHIBA

Toshiba EMEA Pre Sales & Controls Department

TOSHIBA AIRCONDITIONING
Advancing the **eco**-evolution

TOSHIBA
Leading Innovation >>>



April 2010 - The manufacturer reserves the right to change the product specifications, data and images without notice.

TOSHIBA AIRCONDITIONING
Advancing the **eco**-evolution

Web Based Controller
Central Control Device



BMS-WB2561PWE

What Can be Connected?

Indoor Unit Models

All R410A VRF and DI/SDI Indoor units can be connected to this control excluding the RAV-SM***XT-E and RAV-SM***0KRT-E models. (TCB-PCNT30TLE required when connecting the RAV equipment). Residential systems cannot be connected.

Web Based Controller Central Control Device

What is the Web Based Controller?

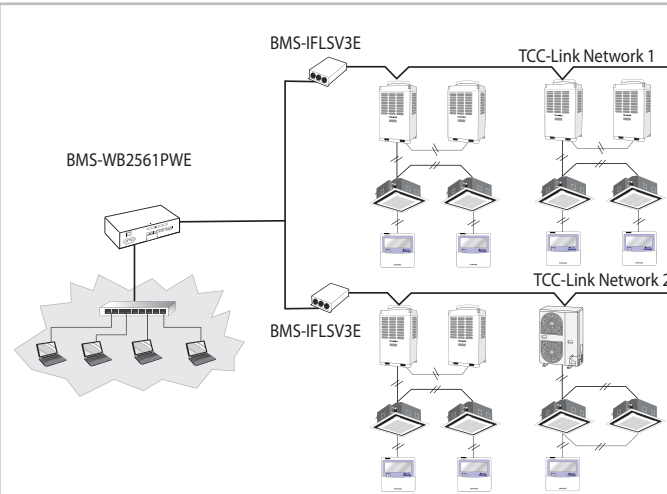
The Web Based controller is an advanced Air Conditioner Central Control system designed for use with large installations where high-level control and/or energy monitoring functions are required.

A single web based controller can be connected to a maximum of 256 Indoor Units. With the use of a Web Based Server, multiple Web Based Controllers can be connected to offer the control of over to 2000 Indoor Units.

The Web Based Controller can be connected to a Local area network (LAN), or Intranet to offer control of the Air Conditioning system from any PC on that network.

Different levels of access can be allocated to a programmed user account to restrict them to control of particular indoor units on the system, or even to restrict the control capable from that account on the whole system.

The PCControl software itself not only offers control and monitoring of the Air Conditioner functions, but also offers extensive schedule settings and system alarm re-transmission via Email.



The TCS-Net Relay Interface converts the RS-485 Signal from the Web Based Controller into TCC-Link protocol for the Central Control Network.

Each Relay Interface can be connected to a maximum of 64 Indoor Units and 16 Outdoor units/systems.

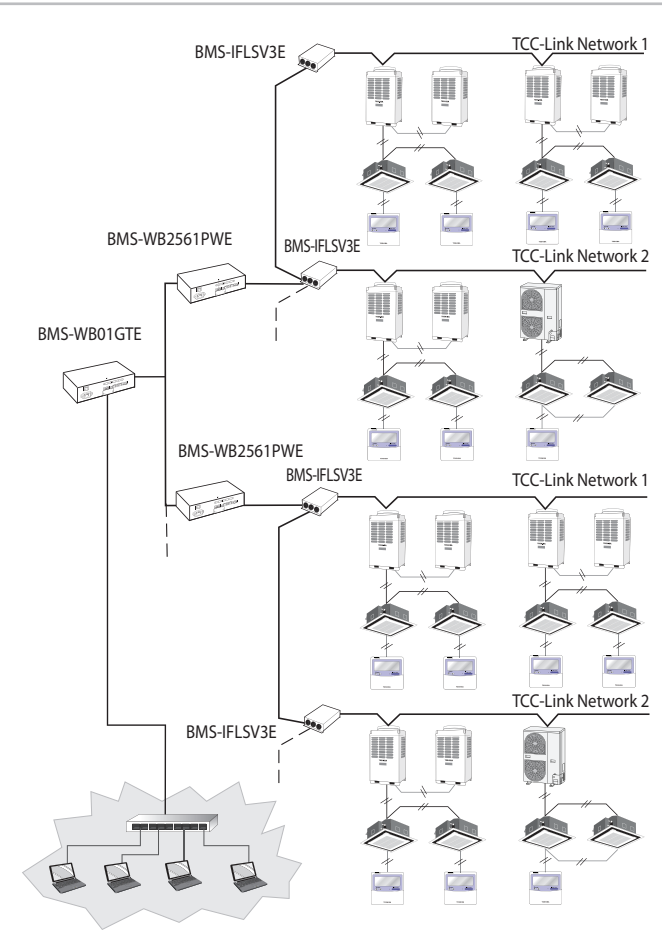
Up to 8 relay Interfaces can be connected to each Web Based Controller Device.

Web Based Server - BMS-WB01GTE

The Web Based Server is used to connect multiple Web Based Controller devices in a network, and is required if the number of indoor units to be connected is greater than the maximum number of indoor units for a single Web Based Controller (256). This device may also be used to increase installation flexibility of the system by allowing for multiple Web Based Controllers to be located in different areas on a site, for example if there are multiple buildings or separated areas to be controlled.

The Web Based Server connects multiple Web Based Controller devices via an Ethernet connection.

A maximum of 8 Web Based Controllers can be connected to a Web Based Server allowing for control of a maximum of 2,048 Indoor Units.



Software Control from Networked PC

The Web Based Controller makes use of standard Web Browser software (Mozilla FireFox, Internet Explorer) and requires no additional software installation for controller.

The software contains simple menu screens and easy setting operation for the connected air conditioning system and has user accounts that can be programmed with a username, password and access level.

Web Based Controller Detail

There are two different web based controller products available, the Web Based Controller itself and the Web Based Controller Server.

Web Based Controller – BMS-WB2561PWE

This controller can be connected to a maximum of 256 Indoor units, and connects to the TCC-Link Central Control Network via a TCS-Net Relay Interface (TCB-IFLSV3E).