

VRF – DI/SDI CK1 conversion kit instructions

Important notice

Please read these instructions before you attempt to carry-out this conversion

Under NO circumstances must mains power be applied to indoor before this procedure has been completed.

Method and step by step procedure

1. Remove electrical can cover
2. Remove [permanently] Live & Neutral (L&N) terminal bed and cabling to PCB (CN067).
3. Remove [permanently] U1 & U2 cables only from terminal bed to PCB (CN040).
4. Remove [permanently] all plugs from original PCB, paying attention to socket reference (majority are colour coded).
5. Remove smaller filter PCB which is connected to secondary side of transformer (CN01). Filter PCB and associated cable from CN02 to CN75 no longer required.
6. Replace original wiring diagram with new from this kit.
7. Carefully remove [permanently] original PCB taking care not to damage locating lugs.
8. Install new PCB supplied with kit.
9. Install new 1, 2, 3 terminal supplied with kit.
10. Crimp connectors onto 1, 2, 3 power cable
11. Install new 1, 2, 3 power cable supplied with kit (white plug/black socket – CN067).
 - terminal 1 – Brown wire
 - terminal 2 – Blue wire
 - terminal 3 – Red wire
12. Refit transformer primary winding plug to new PCB (white - CN074).
13. Refit transformer secondary winding to plug new PCB (white - CN075).
14. Refit fan motor plug to new PCB (white - CN083).
15. Refit float-switch loop wire plug to new PCB (red - CN030).
16. Refit A&B cable plug to new PCB (blue - CN041).
17. Refit TA sensor plug to new PCB (yellow - CN104).
18. Refit TCj sensor plug to new PCB (red - CN102).
19. Remove TC2 sensor copper bonnet from pocket/location at PMV and secure with cable ties to end-ring two thirds of way through evaporator coil.
20. Refit TC2 sensor plug to new PCB (black - CN101).
21. Refit transformer primary side plug to new PCB (white - CN074).
22. Tidy wiring loom with cable tie fasteners.
23. Place 'Note' sticker on outer side of electrical can cover.
24. Reassemble unit.

Note:

- PMV and cable now redundant, do not remove from machine (original PCB white socket – CN082).
- TC1 sensor and cable now redundant, do not remove from machine (original PCB brown socket – CN100).

For further details, please contact TCUK Customer Services on 0870 843 0333.

Controller settings

It is necessary to set the indoor units capacity via the RBC-AMT32E / RBC-AMS41E at commission stage.

1. Press **TEST**, **SET** & **CL** together for 4 seconds, display will change showing Code '10'. Set data in code 10 with Time **UP/DOWN** arrows according to table below and press **SET**.

Code	UNIT	MML-AP****BH	MMF-AP****H
10	VALUE	0011	0013

2. Press Temperature **UP** arrow changing Code '10' to Code '11'. Set data in code 11 with Time **UP/DOWN** arrows according to table below and press **SET**.

Code 11	Outdoor UNIT								
			SM563AT-E	SM803AT-E	SM1103AT-E	SM1403AT-E	SM1603AT-E	SM2244AT8-E	SM2804AT8-E
		SP404AT-E	SP564AT-E	SP804AT-E	SP1104AT-E	SP1404AT-E			
					SP1104AT8-E	SP1404AT8-E	SP1604AT8-E		
	Single indoor VALUE	0006	0009	0012	0015	0017	0018	-	-
	Twin indoors VALUE	-	-	-	0009	0012	0012	0015	0017

3. Twin indoor from one condenser, both indoors must be configured by pressing **UNIT** button.
4. Press **TEST**, controller will flash '**SETTING**' for approximately 5 minutes.
5. If you fail to complete re-programme - '**L09**' fault will flash on controller display.

Contents of this pack

* Confirm these components are in the pack before commencing work. *

- 1 x Replacement Three wire adapter (1, 2, 3 power cable)
- 3 x Crimp connector
- 5 x Cable tie
- 1 x Replacement Printed Circuit Board
- 1 x Replacement Terminal bed
- 1 x Replacement wiring diagram
- 1 x Instruction Sticker
- 1 x Installation instructions

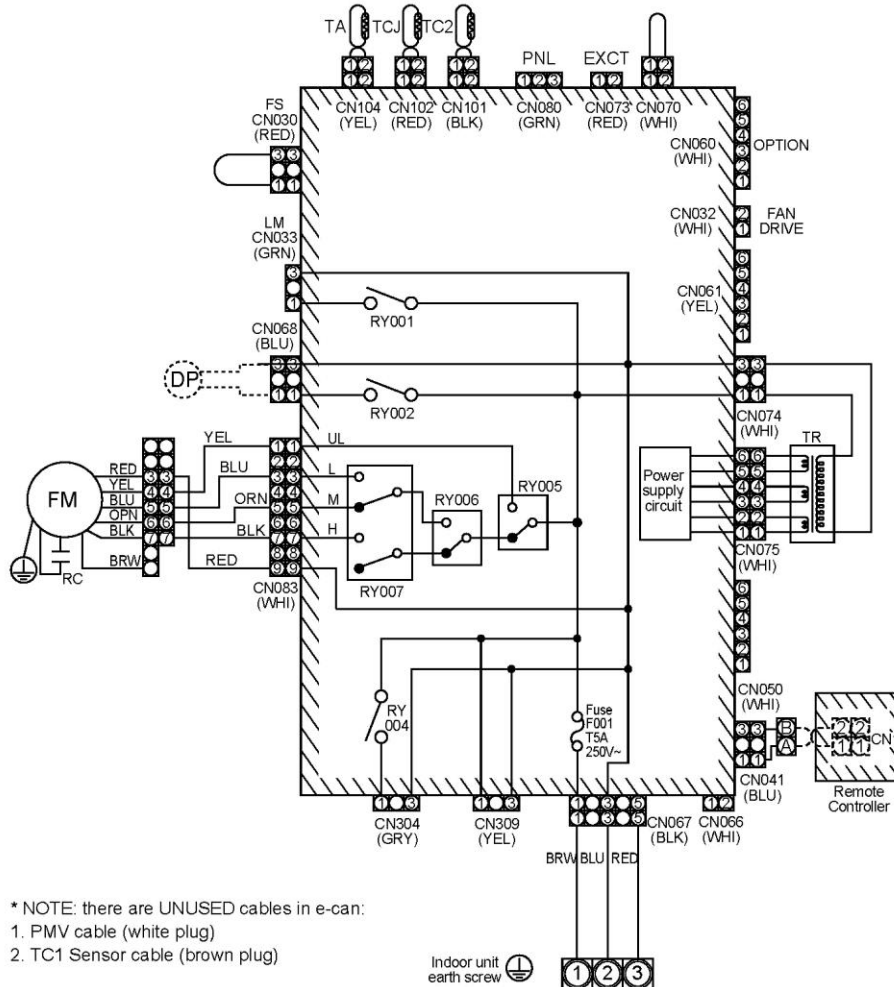
Commission sheet

The production and submission of a commission sheet is mandatory on completion of these steps and a systems installation. Electronic versions of Toshiba's VRF conversion commission sheets have been sent by email to the supplier/suppliers contact. The supplier/suppliers contact must print paper copies to accompany this equipment. Complete a paper copy, transferring the information onto Toshiba's electronic version. The completed electronic version must be sent to email address below. Warranty of this equipment is subject to Toshibas approval of submitted commission sheets. Warranty will be void if this process is not undertaken.

commissioning.uk@toshiba-ac.com

Wiring diagram

Ver. CK1 - 1.0. VRF/DI-SDI Conversion
 Model references MML-AP****BH & MMF-AP****H



* NOTE: there are UNUSED cables in e-can:
 1. PMV cable (white plug)
 2. TC1 Sensor cable (brown plug)

NOTE	
FM	: Fan motor
RC	: Runing capacitor
TR	: Transformer
LM	: Louver motor
TA	: Indoor temp. sensor
TC, TCJ	: Indoor heat exchanger sensor
RY001	: Louver control relay
RY002	: Drain control relay
RY005-007	: Air volume control relay
DP	: Drain pump motor

Color identification	
BLK	: BLACK
BLU	: BLUE
RED	: RED
GRY	: GRAY
PNK	: PINK
GRN	: GREEN
WHI	: WHITE
BRW	: BROWN
ORN	: ORANGE
YEL	: YELLOW