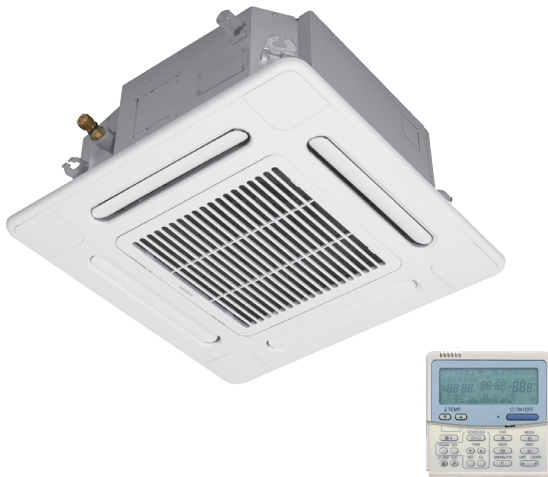


Compact 4 Way Cassette Heat Pump System



- Compact 600 x 600 mm cassette
- High Efficiency Twin Rotary Inverter Compressor
- Utilises R410A none ozone depleting Refrigerant
- Replacement Technology (R22 & R407c)
- Light weight and very easy to Install
- Panel height 17 mm for sleek, unobtrusive installation
- Removable Corner Pockets for easy access
- Infra-red and wired controls available
- Detachable Louvre and Grille for Easy Cleaning
- Connection kit required for twin systems

This 4-way cassette has been designed to suit all standard 600 x 600 mm grid ceilings, for easy installation and maintenance.

The new Super Digital Inverter Series of cassettes are compact, unobtrusive and flexible which can easily blend in with any room interior. They offer a high performance utilizing minimum energy to help lower your power consumption.

The units are suitable for use with either new R410A refrigerant pipe work, or indeed can be used as 'replacement technology' enabling the re-use of existing R22 or R407c Pipe work.

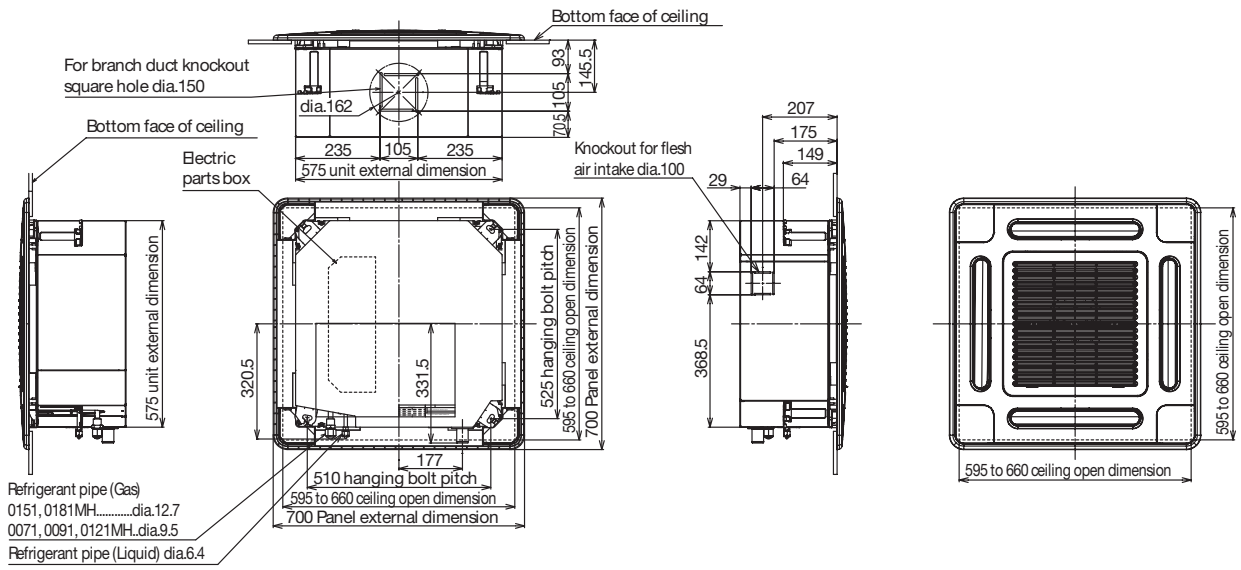


Size 404 and 564

Model	Outdoor Unit	RAV	SP404AT-E	SP564AT-E
	Indoor Unit	RAV	SM402MUT-E	SM562MUT-E
	Panel	RBC	RBC-UM11PG(W)-E	RBC-UM11PG(W)-E
System Data	Cooling Capacity (Range)	kW	3.6 (1.5-4.0)	5.0 (1.2-5.6)
	Heating Capacity (Range)	kW	4.0 (1.5-5.0)	5.6 (0.9-7.4)
	Power Input, Cooling/Heating	kW	1.00/0.97	1.19/1.54
	COP	W/W	4.12	3.64
	EER	W/W	3.6	3.21
	SEER	W/W	TBC	3.99
	Annual Power Consumption, Cooling	kWh	500	780
	Energy Label, Cooling / Heating		A/A	A/A
	UK Conditions - Cooling Capacity	kW	3.88	5.44
	UK Conditions - Sensible Cooling Capacity	kW	3.2	4.22
UK Conditions - Heating Capacity	kW	4.93	4.69	
Indoor	Air flow (High/Medium/Low)	l/s	130/153/183	151/186/221
	Sound Pressure Level (High/Medium/Low)	dB(A)	31/36/40	34/39/43
Outdoor	Airflow	l/s (m3/h)	667 (2400)	667 (2400)
	Sound Pressure Level (cooling/heating)	dB(A)	45/47	47/48
	Pipe Connections, Gas - Liquid	in	1/2 - 1/4	1/2 - 1/4
	Pipe Length, Maximum/Minimum	m	30/5	50/5
	Maximum Operating Current	A	5.2	TBC
	Base charge refrigerant level	Kg	1	1.1
	Suggested Fuse Size	A	10	10

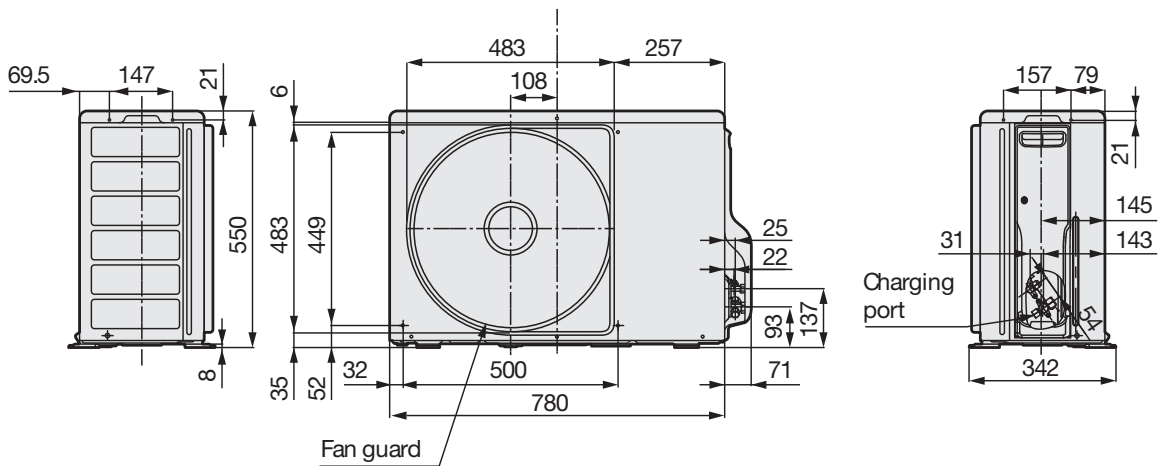
All data is based on Toshiba Nominal Conditions as described in the back of our standard price list.

INDOOR UNITS



RAV-402MUT-E and RAV-SM562MUT-E

OUTDOOR UNITS



RAV-SP404AT-E and RAV-SP564AT-E

